

GUZZLER
OPTIONAL DIP SWITCH SETTINGS

Dip Switch A (8P Dip Switch)

1. Credits

Coin	Play	SW5	SW6	SW7	SW8	Coin Switch No.
1	1			Off	Off	2
1	2			On	Off	
1	3			Off	On	
1	6			On	On	
1	1	Off	Off			1
2	1	On	Off			
1	2	Off	On			
1	3	On	On			

2. Number Of Guzzlers

No. Of Guzzlers	SW1	SW2
3	Off	Off
4	On	Off
5	Off	On
Free Play (64)	On	On

3. Bonus Points & Extra Guzzlers

Bonus Points	Extra Guzzler	SW3	SW4
At 30,000 & every 100,000	One	Off	Off
At 20,000 & every 50,000	One	On	Off
At 30,000 Only	One	Off	On
No Bonus Points	None	On	On

Dip Switch B (4P Dip Switch)

1. Game Style

Style	SW1
Table	Off
Upright	On

2. Name Registration

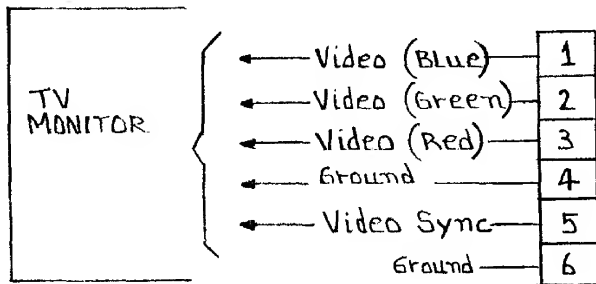
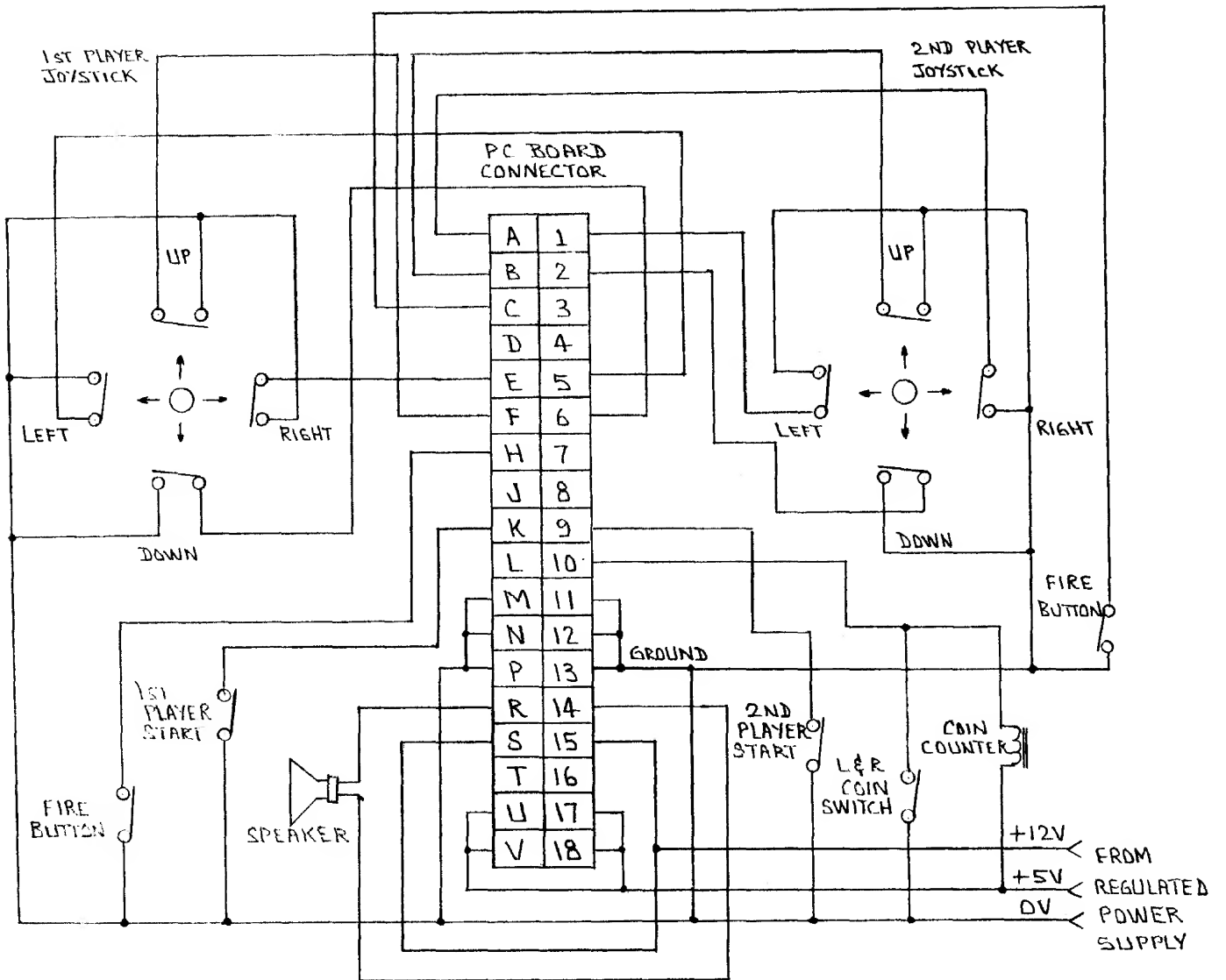
Option	SW2
10 letters can be registered	Off
3 letters & final Round No. can be registered	On

3. Play Difficulty

Option	SW3	SW4
Easy	Off	Off
Average	On	Off
Hard	Off	On
Difficult	On	On

GUZZLER

C.P.U. HARNESS DIAGRAM



NOTE: NUMBERS ARE ON COMPONENT SIDE

VIDEO BOARD CONNECTOR

2P-LEFT	1	BROWN	100"
2P-DOWN	2	GREEN	100"
2P-RIGHT	A	ORANGE	100"
2P-UP	B	YELLOW	100"
2P-SHOOT	C	VIOLET	100"
1P-LEFT	S	BROWN	100"
1P-DOWN	G	GREEN	100"
1P-RIGHT	E	ORANGE	100"
1P-W-	F	YELLOW	100"
1PL-SPOT	H	VIOLET	100"
2PAYER	M	GRAY	100"
1PAYER	S	WHITE	100"
COIN 1	A	BLUE	100"
COIN 2	L	BLUE	100"
GND	11	BLACK	100"
GND	12	BLACK	100"
GND	13	BLACK	100"
GND	M	BLACK	100"
GND	N	BLACK 18 AWG	65"
GND	P	BLACK	65"
GND	R	GRAY	100"
SPEAKER (+)	14	GRAY	100"
SPEAKER (-)	R	ORANGE	65"
+12V	S	ORANGE	100"
+12V	S	ORANGE	100"
+5V	U	RED	100"
+5V	V	RED	100"
+5V	W	RED	65"
+5V	17	RED 18 AWG	65"
+5V	18	RED	65"

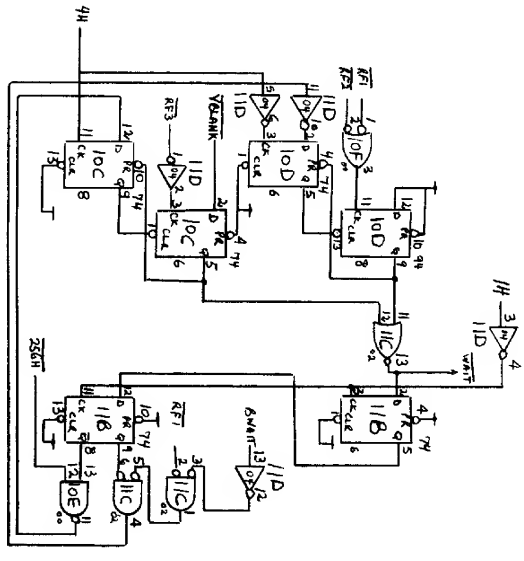
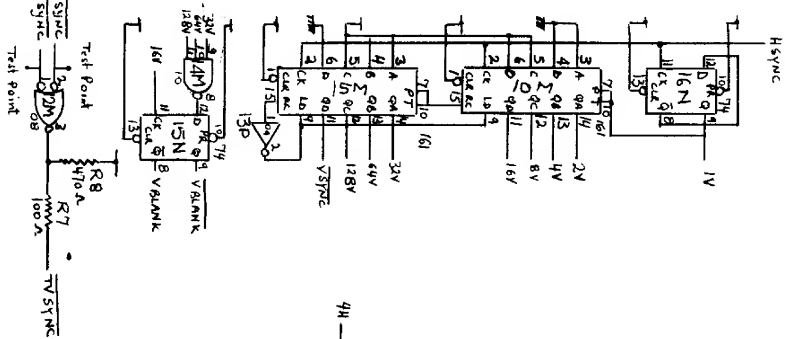
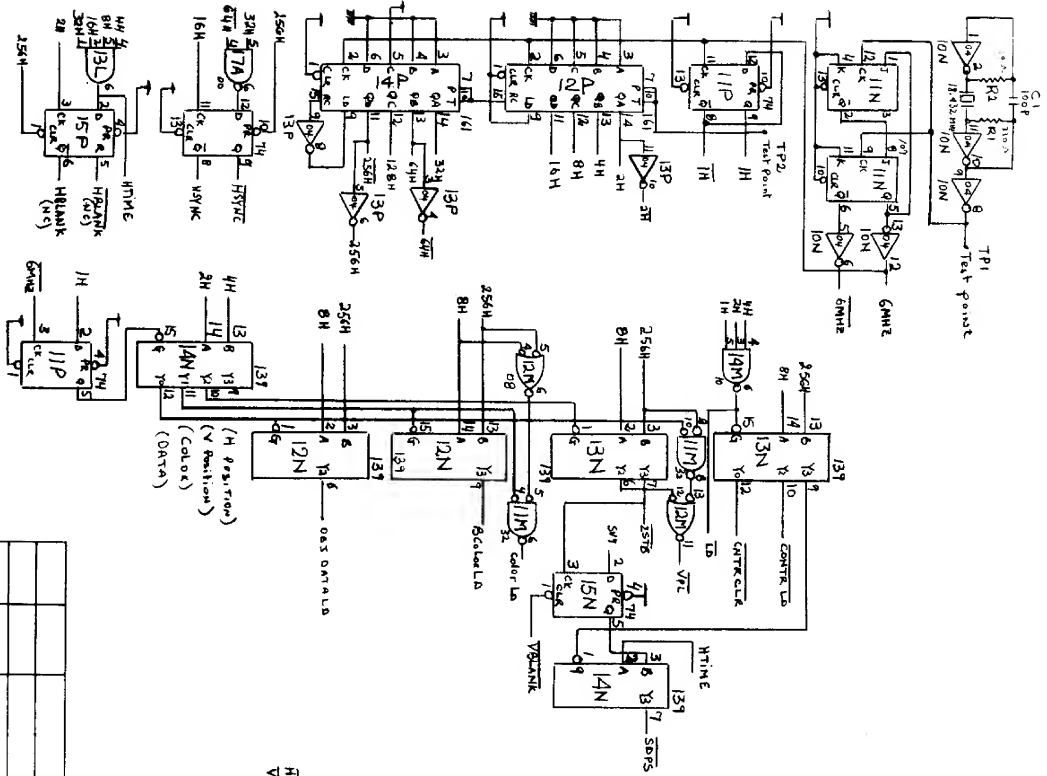
1	BLUE	65"
2	GREEN	65"
3	RED	65"
4	BLACK	65"
5	WHITE	65"

* NOTE: ALL THE WIRE IS
22 AWG UNLESS
OTHERWISE SPECIFIED.

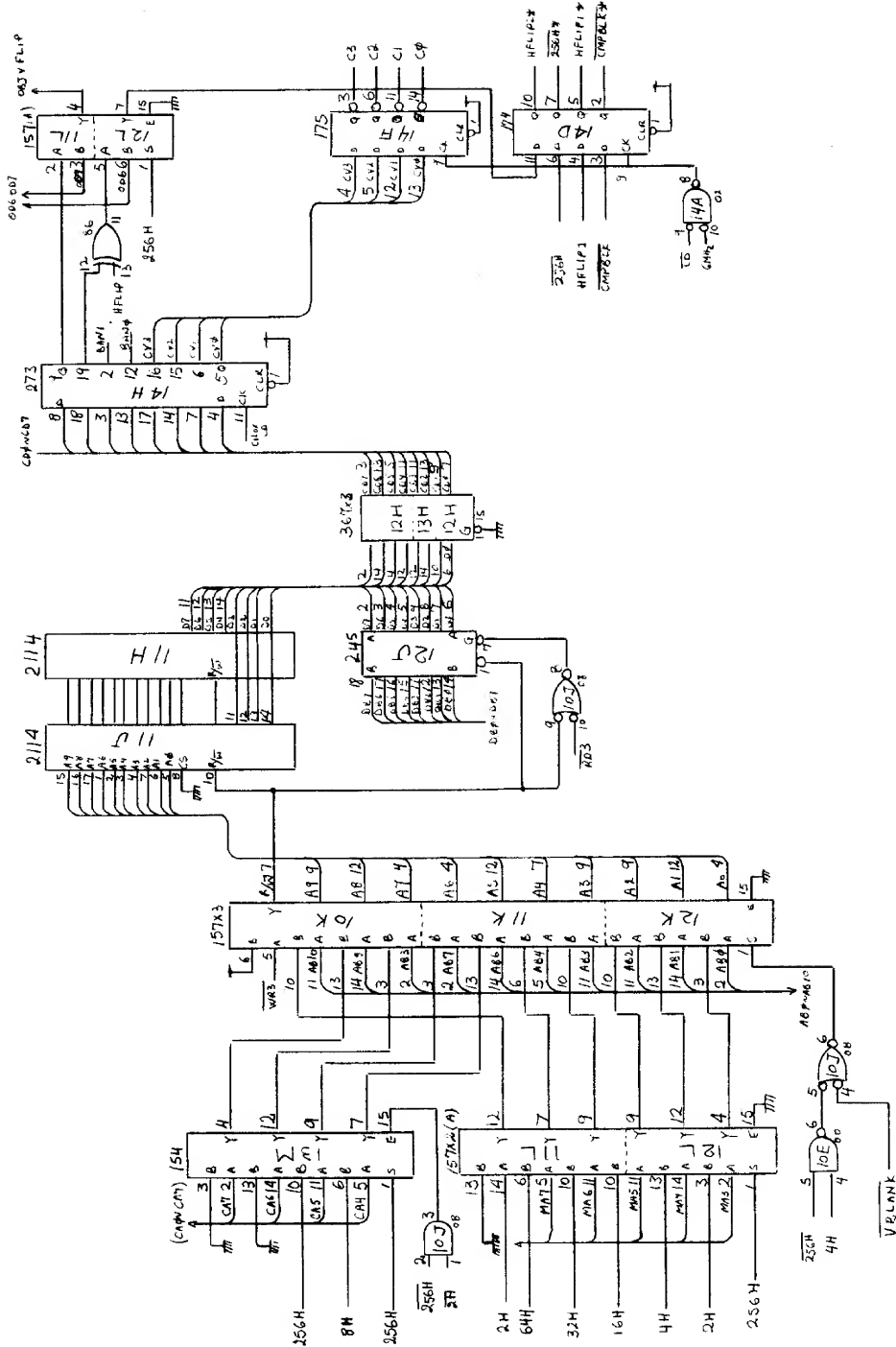
OC. APVD.	PROD. APVD	QTY.	ASSEMBLY NO
centun HIALEAH, FLORIDA 33014			
NAME		CPU HARNESS GUZZLER	
MATERIALS		HEAT TREAT. FINISH	
DATE	SCALE	PART NO.	REV.
3-22-83		008-4888	
DWN.	APP'D.	REV.	
AAH		008-4888	

TOLERANCES	
Unless Otherwise Specified	
FRACTIONS	± 1/32
DECIMALS 2 PL	± .015
DECIMALS 3 PL	± .005
HOLES	± .003
ANGLES	± .001
SHT. MET BENDS	± 2°

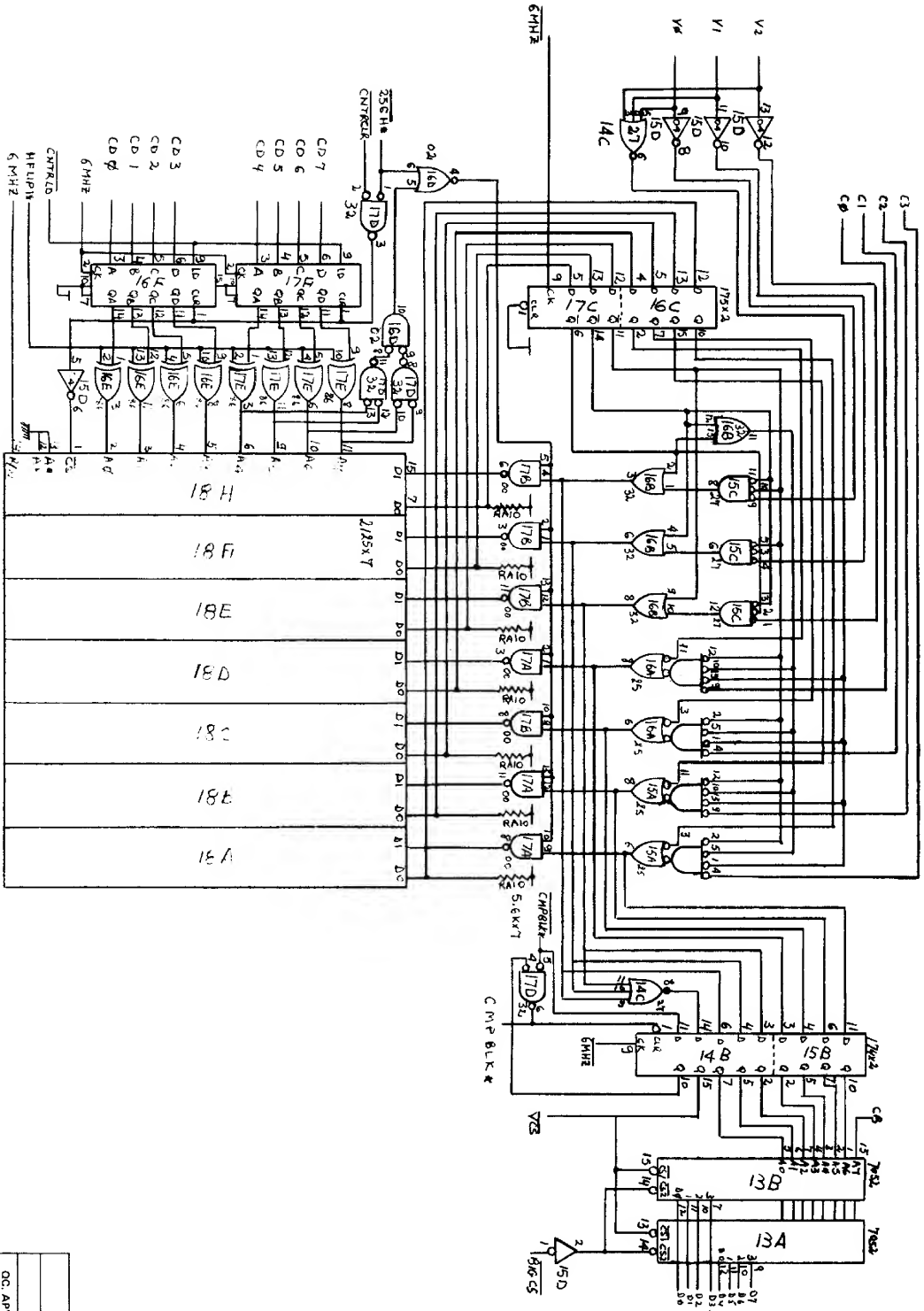
REV. LET.	ECN NO.	REVISION	BY
-----------	---------	----------	----



REV. LET.		ECN NO.		REVISION		BY		ANGLES		SHT. MET BENDS																																	
<table border="1"> <thead> <tr> <th colspan="2">TOLERANCES</th> <th colspan="2">UNLESS OTHERWISE SPECIFIED</th> </tr> </thead> <tbody> <tr> <td>FRACTIONS</td> <td>±</td> <td>1/32</td> <td></td> </tr> <tr> <td>DECIMALS 2 PL</td> <td>±</td> <td>015</td> <td></td> </tr> <tr> <td>DECIMALS 3 PL</td> <td>±</td> <td>005</td> <td></td> </tr> <tr> <td>Holes</td> <td>+</td> <td>003</td> <td></td> </tr> <tr> <td>ANGLES</td> <td>-</td> <td>001</td> <td></td> </tr> <tr> <td>SHT. MET BENDS</td> <td>±</td> <td>1/2</td> <td></td> </tr> <tr> <td></td> <td></td> <td>2</td> <td></td> </tr> </tbody> </table>												TOLERANCES		UNLESS OTHERWISE SPECIFIED		FRACTIONS	±	1/32		DECIMALS 2 PL	±	015		DECIMALS 3 PL	±	005		Holes	+	003		ANGLES	-	001		SHT. MET BENDS	±	1/2				2	
TOLERANCES		UNLESS OTHERWISE SPECIFIED																																									
FRACTIONS	±	1/32																																									
DECIMALS 2 PL	±	015																																									
DECIMALS 3 PL	±	005																																									
Holes	+	003																																									
ANGLES	-	001																																									
SHT. MET BENDS	±	1/2																																									
		2																																									
NAME: centurion CLOCK WAIT MAT'L S.				GUNZLER B 102-401 HEAT TREAT. FINISH				HIALEAH, FLORIDA 33014 OC APVD: _____ PRD APVD: _____ QTY: _____ ASSEMBLY NO: _____																																			
DWN		DATE		SCALE		PART NO.		REV.		PAGE 1																																	
17899B		1/18/82		1:1		905-4894																																					



TOLERANCES		QC. AP'VD		PROD. AP'VD		ASSEMBLY NO	
Unless Otherwise Specified							
FRACTIONS	± 1/32					HIALEAH, FLORIDA 33014	
DECIMALS 2 PL	± .015					NAME OBJ. RAM	
DECIMALS 3 PL	± .005					GUZZIER B 102-401	
Holes	± .001					MATS. HEAT TREAT. FINISH	
ANGLES	± 1/2°					DWN. APP'D. DATE 8/19/72 SCALE PART NO. REV.	
SHT. MET BENDS	± 2°					905-4894	



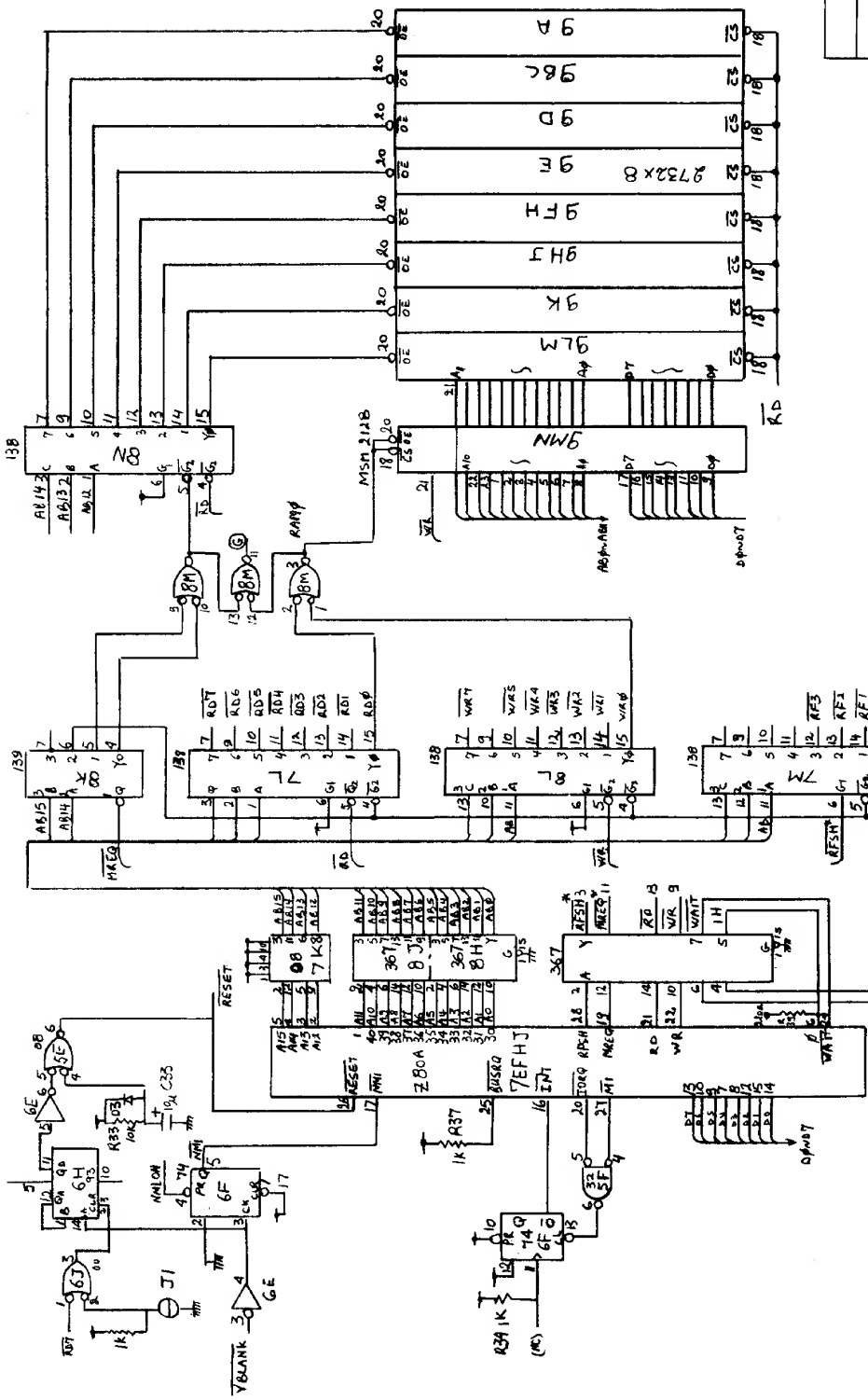
REV. LET.	ECN NO.	REVISION	BY	DATE	SCALE	PART NO.	REV.
				2/17/72		905-4894	

TOLERANCES		UNLESS OTHERWISE SPECIFIED	
FRACTIONS	±	7/32	
DECIMALS 2 PL	±	.015	
DECIMALS 3 PL	±	.005	
HOLES	+	.003	
ANGLES	±	.001	
SHT MET BENDS	±	1/2	

NAME	RAM OUT GUZZLER	FINISH	B 102-401
MAT'L S.	HEAT TREAT.		
APP'D.	DATE	SCALE	PART NO.
	2/17/72		905-4894

OC. APVD	PROD. APVD	QTY.	ASSEMBLY NO.

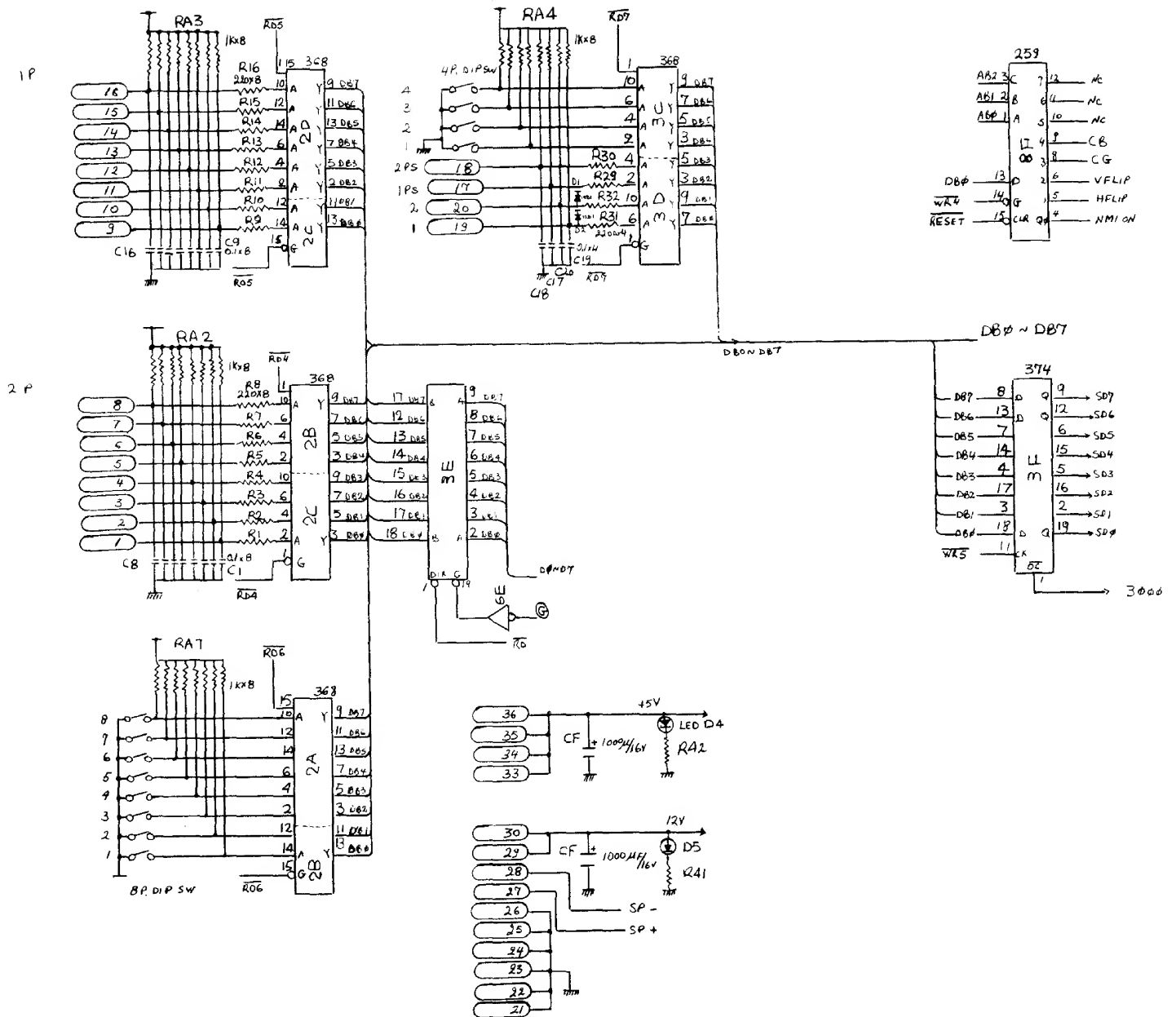
PAGE 3
 CENTURIUM
 HIALEAH, FLORIDA 33014



PAGE 4

OC. APV'D	PROD. APV'D	QTY.	ASSEMBLY NO
centurion			
NAME HIALEAH, FLORIDA 33014			
NAME CPU - RAM - ROM GUZZLER B 102-403			
MATT'S. HEAT TREAT. FINISH			
DWN. 1/17/83	SCALE	PART NO.	REV.
APPD.	DATE	SCALE	REV.
	1/17/83	905-4906	

TOLERANCES		BY	REVISION
Unless Otherwise Specified			
FRACTIONS	± 1/32		
DECIMALS 2 PL	± .015		
DECIMALS 3 PL	± .005		
HOLES	± .003		
ANGLES	± 1/2°		
SHT. MET BENDS	± 2'		

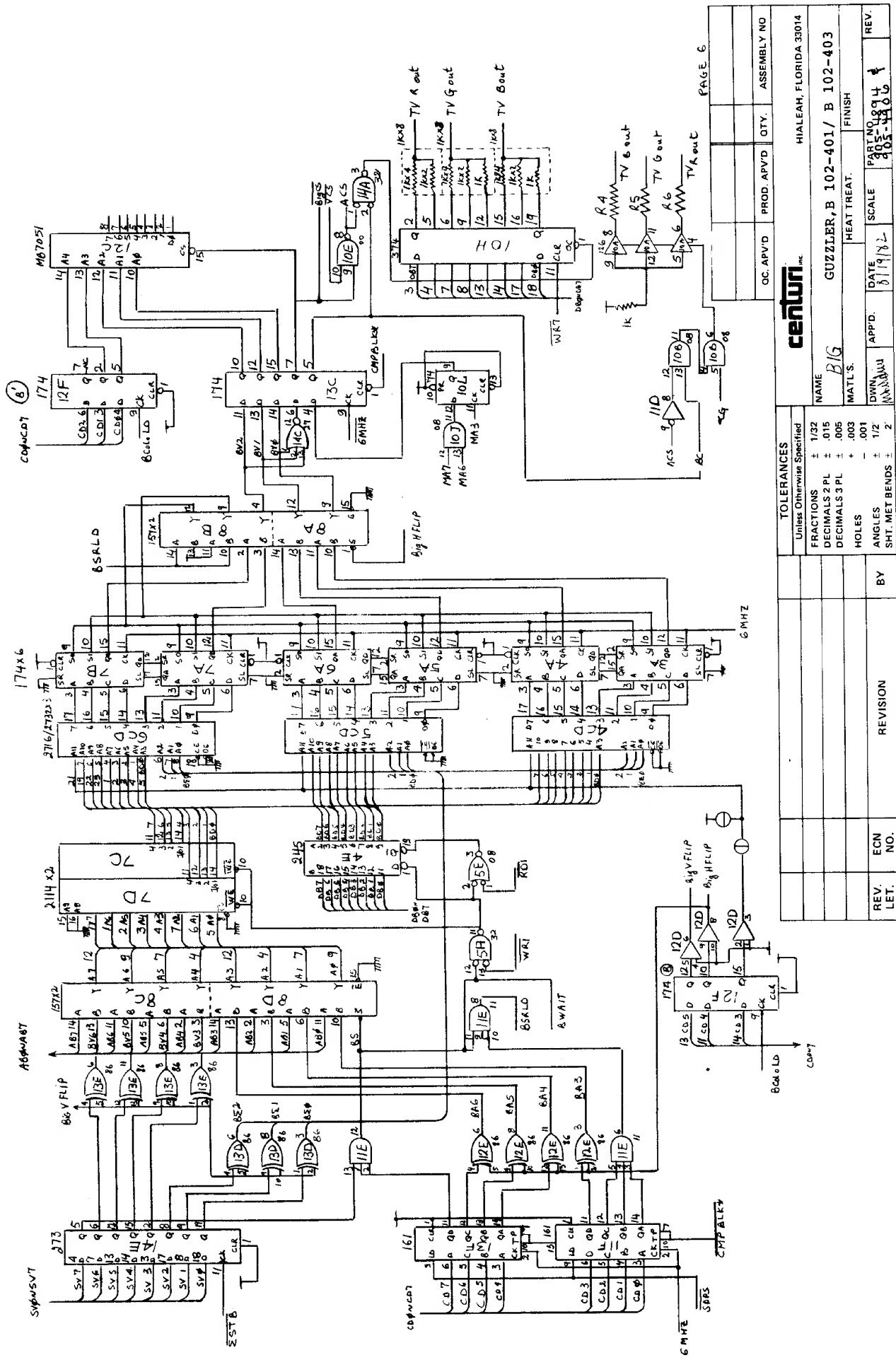


THE MATERIAL CONTAINED HEREIN IS CONFIDENTIAL AND NO PART OF IT CAN BE REPRODUCED WITHOUT THE EXPRESSED PERMISSION OF CENTURI, INC.

QC. APV'D	PROD. APV'D	QTY.	ASSEMBLY NO

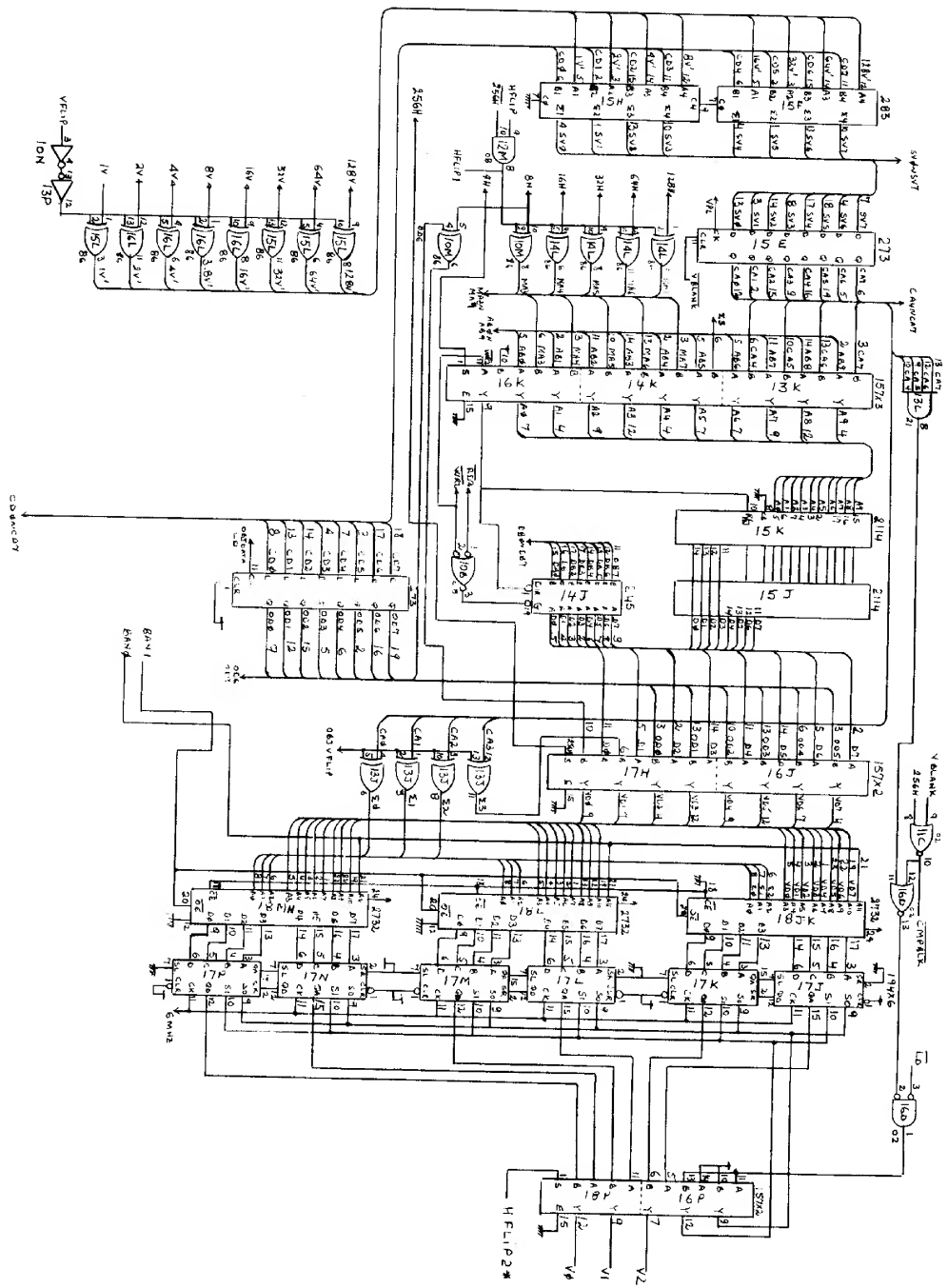
TOLERANCES				centuri			
Unless Otherwise Specified				HIALEAH, FLORIDA 33014			
FRACTIONS	±	1/32	NAME	I/O GUZZLER B 102-403			
DECIMALS 2 PL	±	.015	MAT'L'S.	HEAT TREAT.		FINISH	
DECIMALS 3 PL	±	.005	DWN.	APP'D.	DATE	SCALE	PART NO.
HOLES	±	.003	Mandula		8/19/82		905-4906
ANGLES	±	1/2°					REV.
SHT. MET BENDS	±	2°					
REV. LET.	ECN NO.	REVISION	BY				

CHARTRITE LEMMA, MADE IN U.S.A.



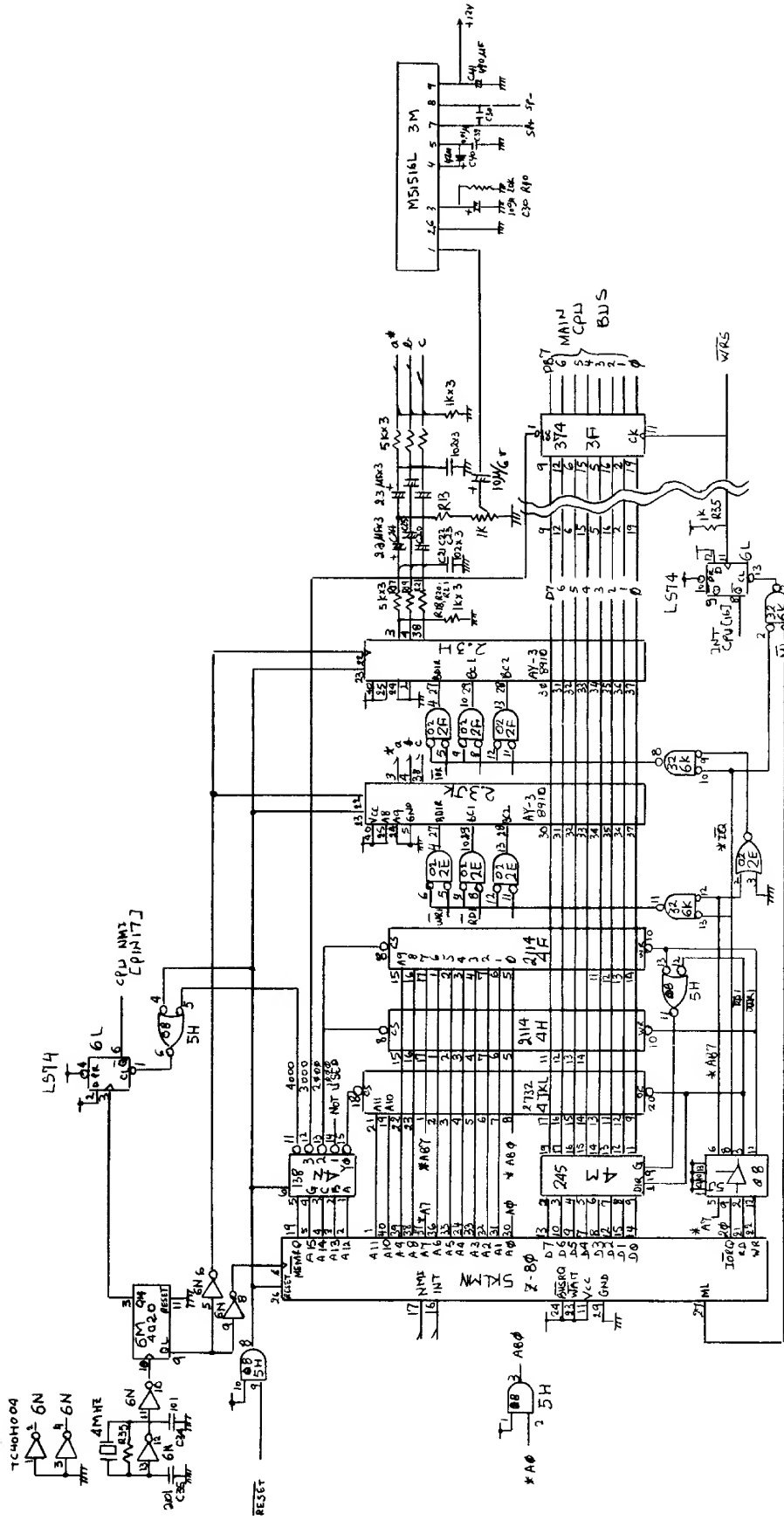
TOLERANCES Unless Otherwise Specified		HIALEAH, FLORIDA 33014	
FRACTIONS	± 1/32	NAME	GUZZIER, B 102-401/ B 102-403
DECIMALS 2 PL	± .015	MATL'S	BIG
DECIMALS 3 PL	± .005	DATE	8/17/82
HOLES	± .003	SCALE	1/2
ANGLES	± .001	HEAT TREAT.	FINISH
SHT. MET BENDS	± 2°	APP'D.	8/17/82
REV. LET.	NO.	BY	REVISION
ECN NO.			
REV.		PART NO.	102-401/4
		SCALE	1/2
		FINISH	
		REV.	4

PAGE 6



PAGE 7

REV. LET.		ECON NO.		REVISION		BY		SHT. MET. DIMS.		TOLERANCES		NAME		DC. AP'VD		PNO. AP'VD		QTY.		ASSEMBLY NO.	
										FRACTIONS ± 1/32		CENTURY									
										DECIMALS ± .015		VRAM									
										HOLES ± .003		GUZZLER									
										ANGLES ± 1/2°		B 102-401									
										Z		FINISH									
										PART NO. 905-4894		REV.									
										DATE 8/11/81		SCALE									
										DRAWN		PART NO. 905-4894									
										MATERIAL		FINISH									
										MATERIAL		FINISH									



OC. APVD	PROD. APVD	QTY.	ASSEMBLY NO.

century
HIALEAH, FLORIDA 33014

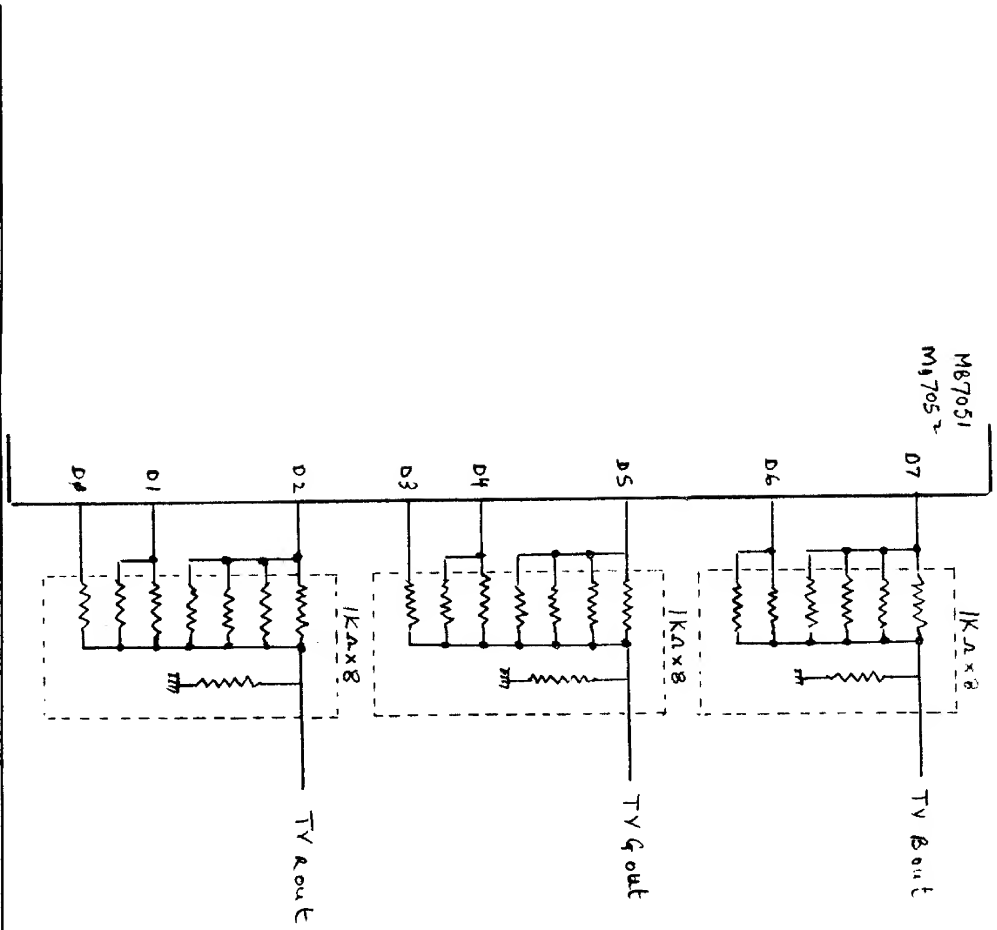
NAME: SWIMMER SOUND GUZZLER B 102-403

MAT'L S.	HEAT TREAT.	FINISH
DWN. MARKING	SCALE	PART NO.
APPD.	DATE	REV.
	8/18/82	905-4906

TOLERANCES		BY	REVISION
Unless Otherwise Specified			
FRACTIONS	± 1/32		
DECIMALS 2 PL	± .015		
DECIMALS 3 PL	± .005		
HOLES	± .001		
ANGLES	± 1/2		
SHT. MET BENDS	± 2°		

PAGE 8

REV. LET.	ECN NO.	REVISION	BY



TOLERANCES
Unless Otherwise Specified

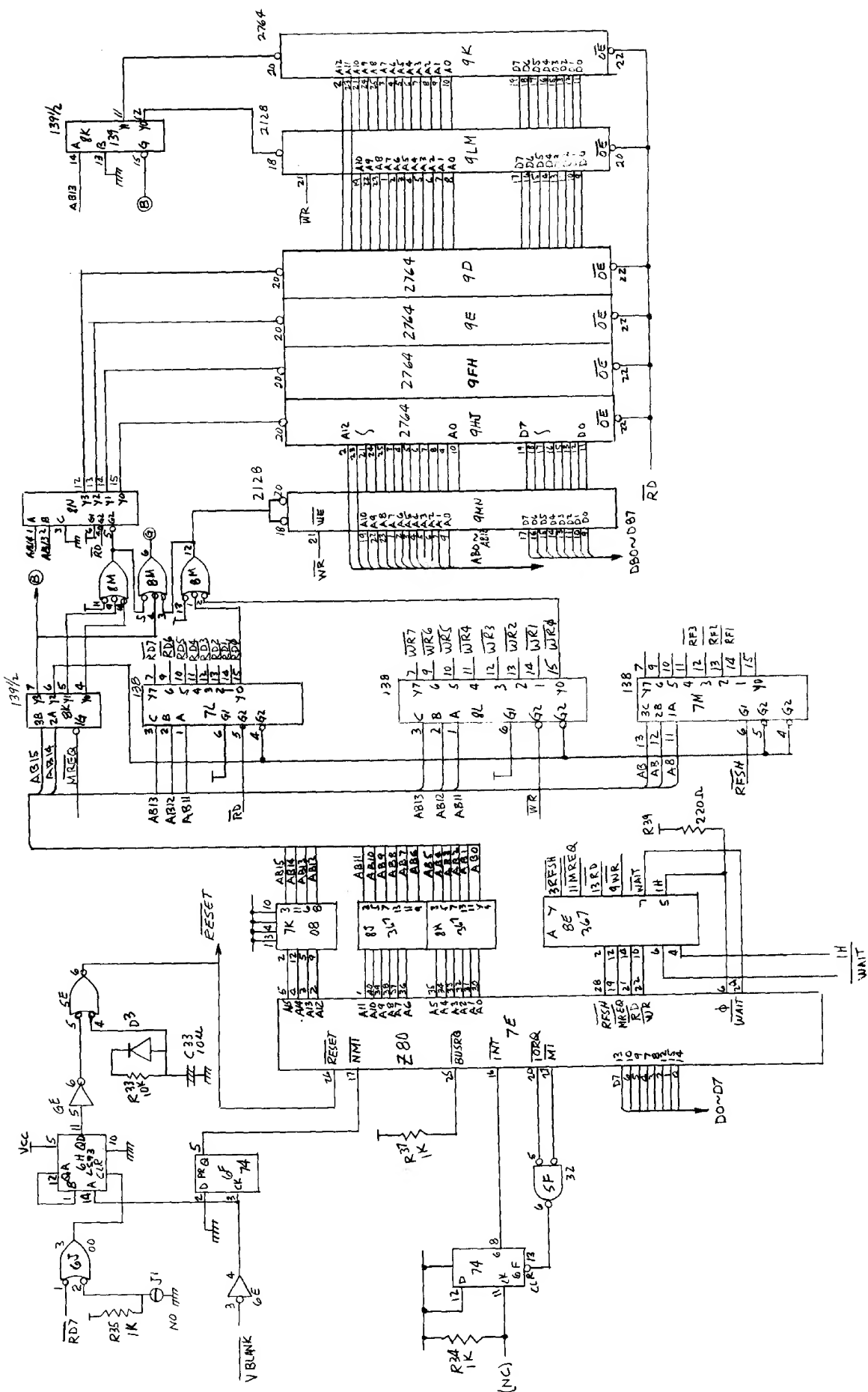
FRACTIONS	±	1/32
DECIMALS 2 PL	±	.015
DECIMALS 3 PL	±	.005
HOLES	+	.003
ANGLES	±	.001
SHT. MET BENDS	±	1/2°

century HIALEAH, FLORIDA 33014

NAME: BTG V RAM
MATERIALS: SWI WIRE & ...
HEAT TREAT: ...
FINISH: ...

DWN. <i>M. J. ...</i>	APP'D.	DATE	SCALE	PART NO.	REV.
		8/19/82			

QC. APV'D	PROD. APV'D	QTY.	ASSEMBLY NO.



PAGE 10

DC. REV'D	PROD. REV'D	QTY.	ASSEMBLY NO.
centum MIAMI, FLORIDA 33114			
NAME		Guzzler B 102-403	
MATERIALS		FINISH	
DATE	HEAT TREAT	DATE	REV.
4-6-83			
APP'D.	BY	DATE	REV.
AIN			
DRWN.	BY	DATE	REV.
TOLERANCES		UNLESS OTHERWISE SPECIFIED	
FRACTIONS	± 1/32		
DECIMALS	± .015		
HOLES	± .003		
ANGLES	± 1/2		
SHT. MET. BENDS	± 2		

GUZZLER PARTS LIST

P.C.B. ASS'Y PART NO. 003-4545

1. Integrated Circuits

<u>DESCRIPTION</u>	<u>PART NO.</u>	<u>Q'TY</u>
74LS00	501-0102	4
74LS02	501-0105	4
74LS04	501-0108	5
74LS08	501-0153	8
74LS10	501-0112	1
74LS11	501-0165	2
74LS21	501-0196	1
7425	501-0115	2
74LS27	501-0259	2
74LS32	501-0156	6
74LS74	501-0121	9
74LS86	501-0125	10
74LS93	501-0127	1
74LS107	501-0129	1
74LS126	501-0402	1
74LS138	501-0200	5
74LS139	501-0170	4
74LS157	501-0141	17
74LS161	501-0137	6
74LS163	501-0184	2
74LS174	501-0135	5
74LS175	501-0158	3
74LS194	501-0186	12
74LS245	501-0202	5
74LS259	501-0190	1
74LS273	501-0205	4
74LS283	501-0207	2
74LS367	501-0176	5
74LS368	501-0211	6
74LS374	501-0204	2
Z80A	501-0093	2
2114	501-0077	8
2125	501-0067	7
2732	500-0008	7
2764	500-0023	5
82S123	500-0010	1
82S129	500-0011	2
AY-3-8910	501-0237	2
M51516L	501-0249	1
M58725	501-0074	2
MSM4020	501-0351	1
TC40H004	501-0401	1

2. Capacitors, Ceramic

0.1 Mfd.16V	515-0712	100
100 Pfd	515-0710	2
220 Pfd.	515-0803	1
0.001 Mfd	515-0712	6

3. Capacitors, Electrolytic

<u>DESCRIPTION</u>	<u>PART NO.</u>	<u>Q'TY</u>
2.2 Mfd 50V	516-0907	6
4.7 " 25V	516-0906	1
10 " 16V	516-0859	1
47 " "	516-0816	1
100 " "	516-0819	1
470 " "	516-0905	1
1000" "	516-0813	2

4. Capacitors, Mylar

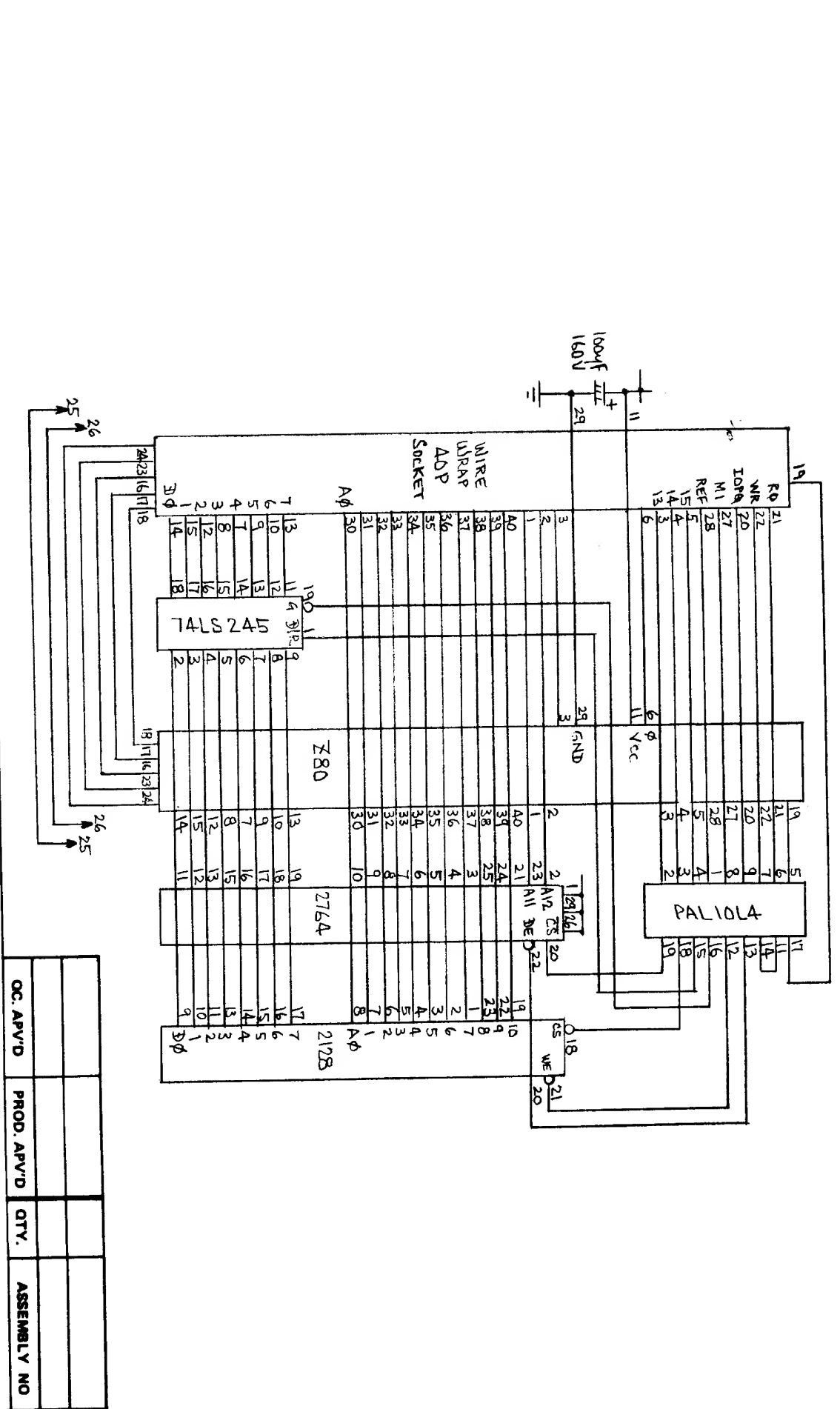
0.01 Mfd 50V	517-0768	1
0.15 " "	517-0790	1

5. Resistors

100 Ohm 1/4W	503-0411	1
220 " "	503-0433	22
330 " "	503-0425	1
470 " "	503-0407	3
1K " "	503-0413	12
4.7K " "	503-0405	6
10K " "	503-0417	1
20K " "	503-0440	1
1M " "	503-0423	1

6. Miscellaneous

Crystal		
18.432 Mhz	507-0554	1
Crystal		
4.000 Mhz	507-0566	1
Dip Sw. 4P	506-1002	1
Dip Sw 8P	506-1000	1
Diode 1N4001	510-0601	2
Diode 1N914	510-0603	1
L.E.D.	510-0602	2
1K Trim Pot	512-0655	1
1K Ohm Dip 9P	504-1024	10
5.6K Ohm Dip	504-1035	1
16P IC Socket	514-1576	3
24P IC "	514-1571	7
28P IC "	514-1572	5



REV. LET.	ECN NO.	REVISION	BY																		
<p style="text-align: center;">TOLERANCES Unless Otherwise Specified</p> <table border="0"> <tr> <td>FRACTIONS</td> <td>±</td> <td>1/32</td> </tr> <tr> <td>DECIMALS 2 PL</td> <td>±</td> <td>.015</td> </tr> <tr> <td>DECIMALS 3 PL</td> <td>±</td> <td>.005</td> </tr> <tr> <td>HOLES</td> <td>+</td> <td>.003</td> </tr> <tr> <td>ANGLES</td> <td>-</td> <td>.001</td> </tr> <tr> <td>SHT. MET BENDS</td> <td>±</td> <td>1/2°</td> </tr> </table>				FRACTIONS	±	1/32	DECIMALS 2 PL	±	.015	DECIMALS 3 PL	±	.005	HOLES	+	.003	ANGLES	-	.001	SHT. MET BENDS	±	1/2°
FRACTIONS	±	1/32																			
DECIMALS 2 PL	±	.015																			
DECIMALS 3 PL	±	.005																			
HOLES	+	.003																			
ANGLES	-	.001																			
SHT. MET BENDS	±	1/2°																			
NAME		GUTTLER SUB-BOARD																			
MATERIALS		HEAT TREAT.																			
DATE		3-30-83																			
SCALE		PART NO.																			
REV.		REV.																			

OC. AP'VD	PROD. AP'VD	QTY.	ASSEMBLY NO.



HIALEAH, FLORIDA 33014

PARTS LIST

GUZZLER KIT W/MODIFIED P.C.B.

1. Integrated Circuit

<u>Description</u>	<u>Part No.</u>	<u>Q'ty</u>
74LS00	501-0102	4
74LS02	501-0105	4
74LS04	501-0108	5
74LS08	501-0153	9
74LS10	501-0112	1
74LS11	501-0165	1
74LS21	501-0196	1
7425	501-0115	2
74LS27	501-0259	2
74LS32	501-0156	6
74LS74	501-0121	10
74LS86	501-0125	10
74LS93	501-0127	1
74LS107	501-0129	1
74LS126	501-0402	1
74LS138	501-0200	5
74LS139	501-0170	4
74LS157	501-0141	17
74LS161	501-0137	6
74LS163	501-0184	2
74LS174	501-0135	5
74LS175	501-0158	3
74LS194	501-0186	12
74LS245	501-0202	6
74LS259	501-0190	1
74LS273	501-0205	4
74LS283	501-0207	2
74LS367	501-0176	5
74LS368	501-0211	6
74LS374	501-0204	2
Z80A	501-0093	2
2114	501-0077	8
2125	501-0067	7
2128 OKIJ	501-0074	2
2732	500-0008	15
2764	500-0023	1
82S123	500-0010	1
82S129	500-0011	2
AY-3-8910	501-0237	2
M51516L	501-0249	1
MSM4020	501-0351	1
PAL10L8	500-0024	1
TC40H004	501-0401	1

2. Resistors

<u>Description</u>	<u>Part No.</u>	<u>Q'ty</u>
100 Ohm 1/4W	503-0411	1
220 " "	503-0433	22
330 " "	503-0425	2
470 " "	503-0407	2
1K " "	503-0413	14
4.7K " "	503-0405	6
10K " "	503-0417	1
20K " "	503-0440	1
1M " "	503-0423	1
1K Ohm 9P Dip	504-1024	13
5.6K Ohm 9P Dip	504-1035	1
390 Ohm 1/4W	503-0561	1
1K Ohm Pot.	512-0655	1

3. Capacitors

<u>Description</u>	<u>Part No.</u>	<u>Q'ty</u>
0.1 Mfd Ceramic	515-0712	101
0.1 " "	515-0700	6
200 Pfd "	515-0803	1
1000 Pfd "	515-0712	6
0.01 Mfd Mylar	517-0768	1
0.15 " "	517-0790	1
2.2 Mfd E.E.	516-0907	6
4.7 " "	516-0906	1
10 " "	516-0859	1
47 " "	516-0816	1
100 " "	516-0819	1
470 " "	516-0905	1
100 " "	516-0873	1
1000 " "	516-0813	2

4. Diodes

<u>Description</u>	<u>Part No.</u>	<u>Q'ty</u>
1N4001	510-0601	2
1N914	510-0603	1

5. Miscellaneous

<u>Description</u>	<u>Part No.</u>	<u>Q'ty</u>
Crystal		
18.432 Mhz	507-0554	1
Crystal		
4.000 Mhz	507-0566	1
Dip Sw 4P	506-1002	1
Dip Sw 8P	506-1000	1
L.E.D.	510-0602	2